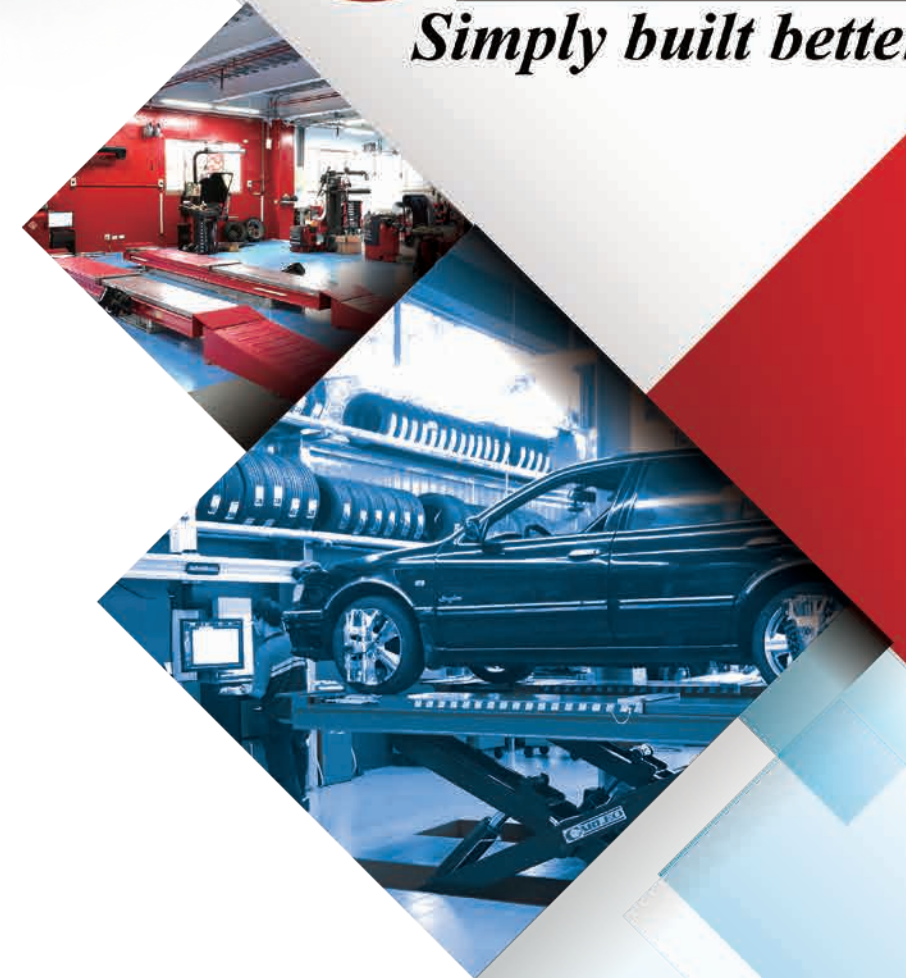


CARLEO[®]
Simply built better



MADE IN TAIWAN

Strength You Can Trust

TRUCK FLOOR LIFT

*Precision from Taiwan
Perfection in Design*

CARLEO GROUP

Ming Lurn Precision Machine Co.,LTD
Hsieh Lurn Precision Machine Co.,LTD
Carleo Lift (Thailand) Co.,Ltd.
TEL:+886-4-2699-6655 FAX:+886-4-2699-0939
E-mail: lift@carleo.com.tw ◆ http:// www.carleo.com.tw

Head Factory : No.66,Lane 2,Sec.2, Shatian Rd, Dadu District,
Taichung, 432011 Taiwan
Taichung Factory : No.2,30th Rd.,Industrial Park,
Taichung, 407021 Taiwan
Thailand Factory : 390/16 Moo 2 Tambon Khaokhansong,
Sri Racha, Chonburi. Thailand 20110



2025/07 Please take the actual product as standard.

www.carleo.com.tw

Series TRUCK FLOOR LIFT SL-F1000/SL-F1500



- Automatically locks into the safety device, safe and secure operation



- Adjustable adapter, compatible with various chassis and frame types.



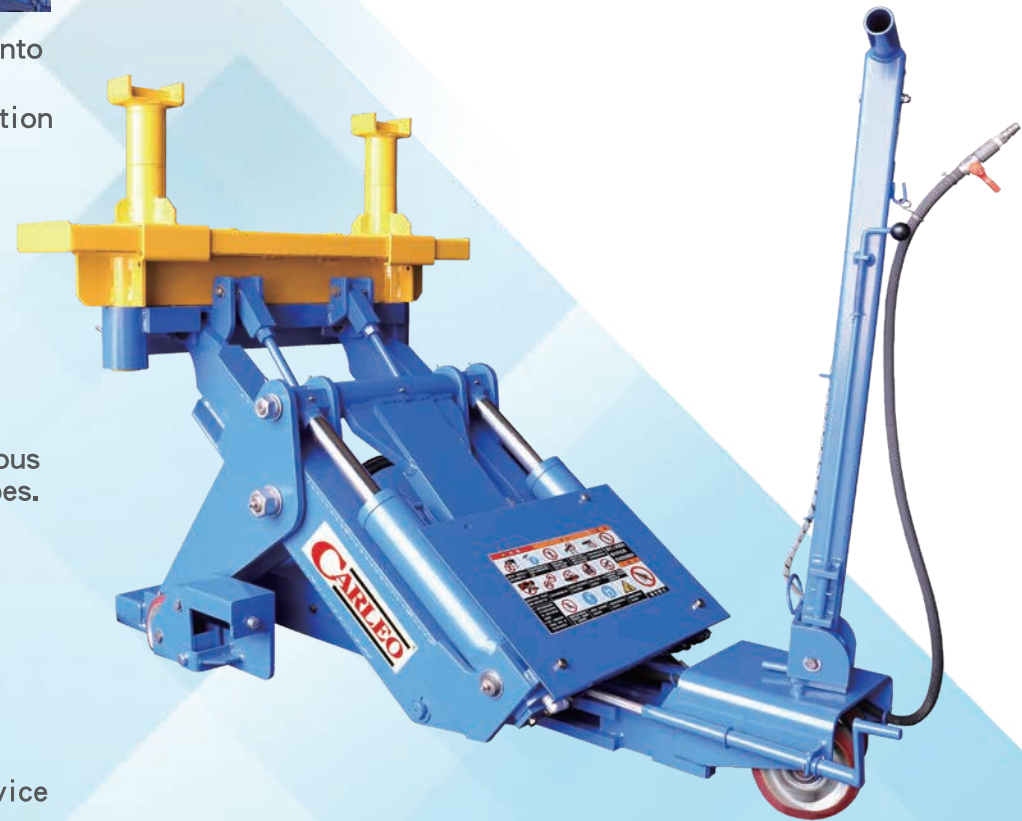
- Wide-range safety device design for enhanced operational safety



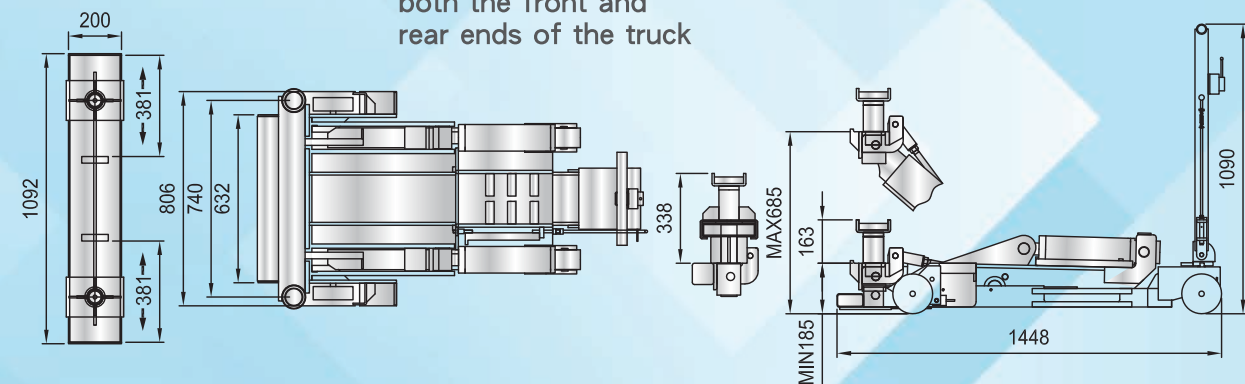
- Easy-to-use controls



- Suitable for use at both the front and rear ends of the truck



MODEL	SL-F1000	SL-F1500
MAX LOADING WEIGHT	10,000Kg	15,000Kg
MIN HEIGHT	185m/m	
LIFTING HEIGHT	500m/m	
AIR PRESSURE	7-10kg/cm ²	



Series TRUCK FLOOR LIFT SL-R1000



- Adjustable adapter, compatible with various chassis and frame types.



- handle adjustable to different angles for easy maneuverability in various working condition.



- side-entry under the vehicle chassis



- Automatically locks into the safety device - safe and secure operation



- Easy-to-use controls-upper and lower

MODEL	SL-R1000
MAX LOADING WEIGHT	10,000Kg
LIFTING HEIGHT	600m/m
AIR PRESSURE	8.5-10kg/cm ²
AIR COMPRESSOR	≥ 5HP
CONTROL	HAND OPERATED
LIFTING TIME	LOADING CAPACITY 180S UNLOADED 87S

