



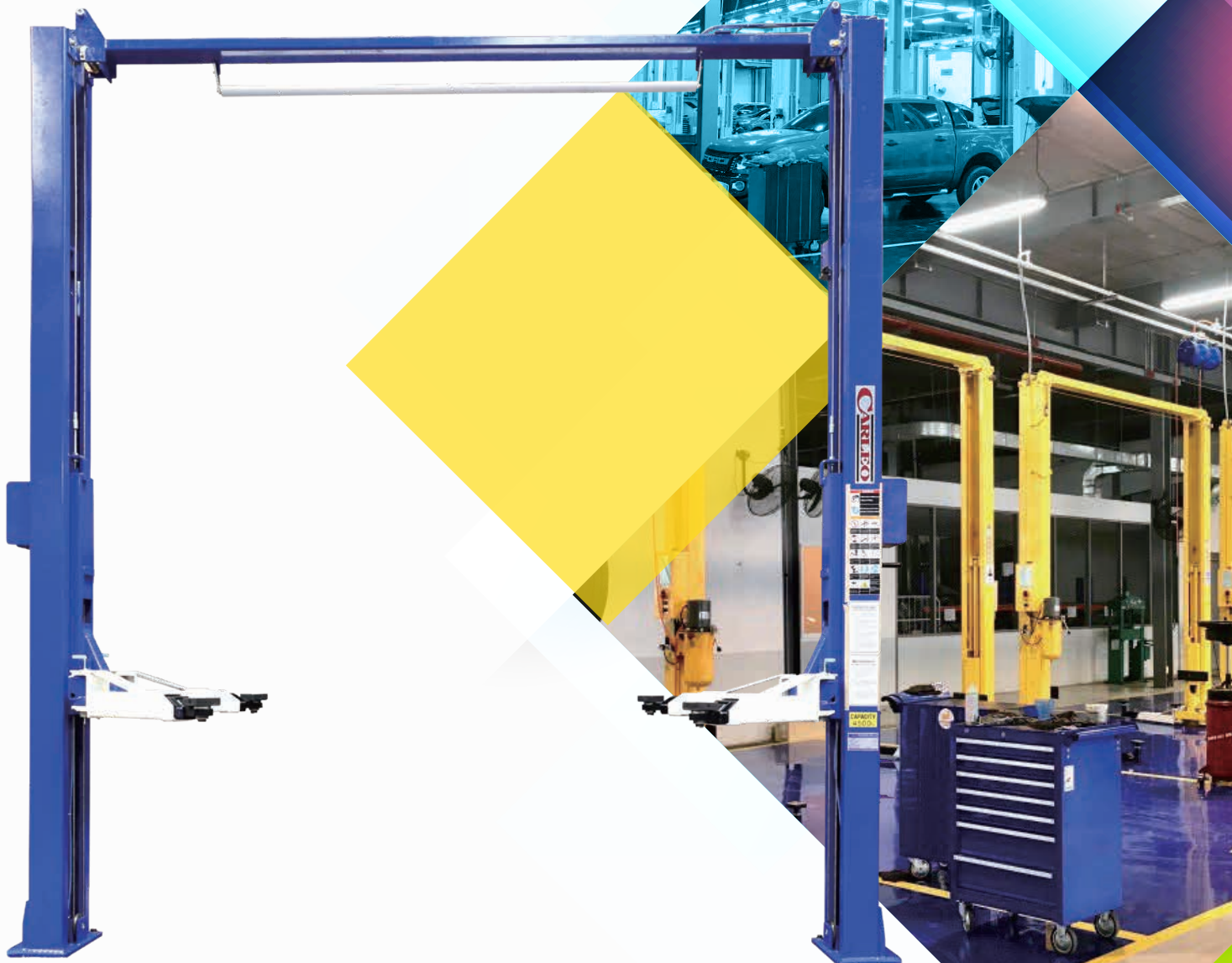
Anniversary Years

Towards a new future

CARLEO[®]
Quick/Safe/Strong/Powerful

SL-303SBW-N3 Capacity: 4.5 tons

TWO POST CLEAR FLOOR LIFT



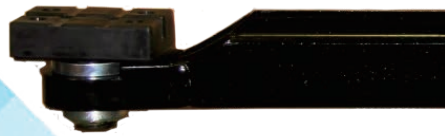
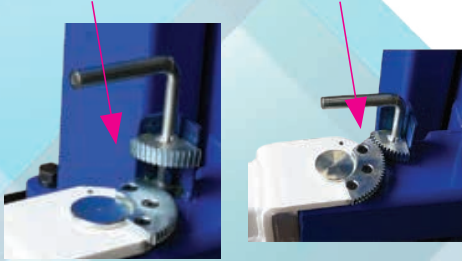
SGS

CE

www.carleo.com.tw

Unlocked

locked



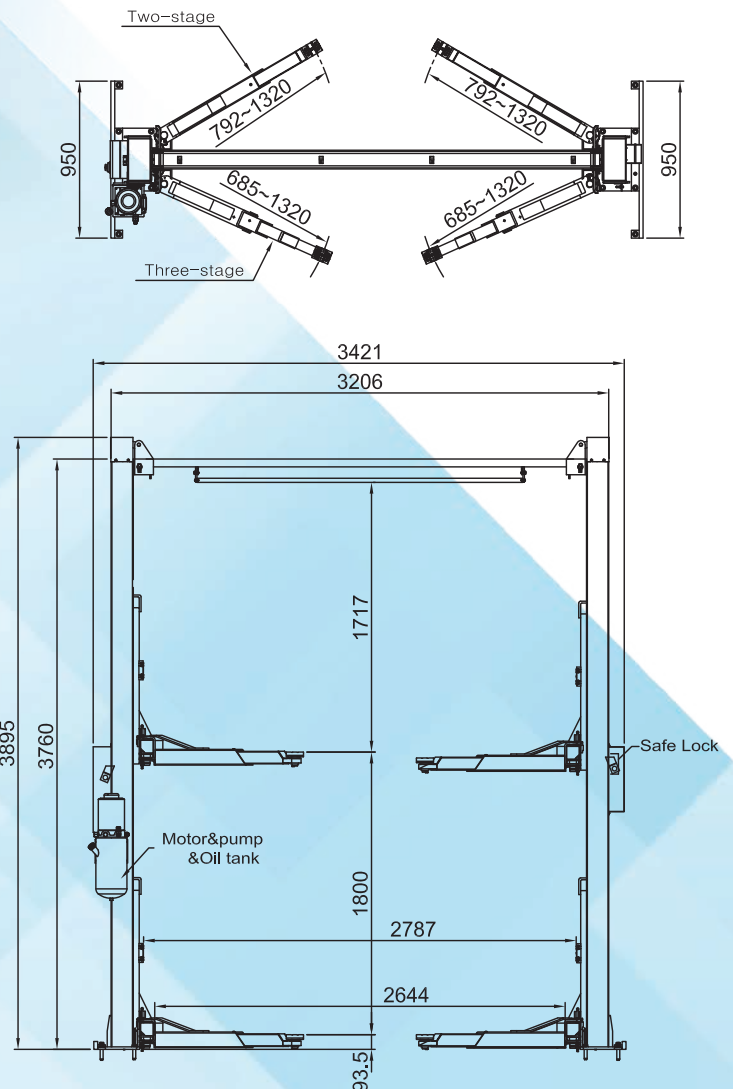
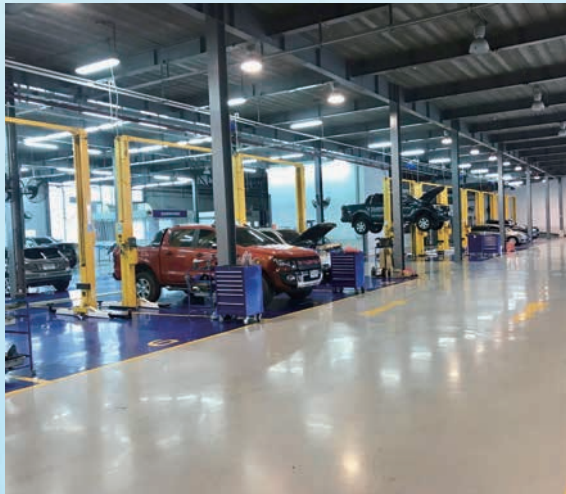
95001L 95002S

Fixed Automatically

auto fixed after loading

Min Height 93.5mm

Option



MODEL	MAX LOADING WEIGHT	LIFTING HEIGHT	HORSEPOWER	VOLTAGE	WIRE	LIFTING TIME	OPERATION	CONTROL	
SL-303SBW-N3	4500Kg	1800 m/m	2HP	AC 220 AC 380 AC 415	50HZ 60HZ	8mm Adjust balance	About 38 sec	Hydraulic	Hand operated + Electric

CARLEO GROUP

Ming Lurn Precision Machine Co.,LTD
Hsieh Lurn Precision Machine Co.,LTD

TEL:+886-4-2699-6655 FAX:+886-4-2699-0939

E-mail: lift@carleo.com.tw ◆ http:// www.carleo.com.tw

Head Factory : No.66,Lane 2,Sec.2, Shatian Rd, Dadu District,
Taichung, 43244 Taiwan

Taichung Factory : No.2,30th Rd.,Industrial Park,
Taichung, 40768 Taiwan